

2000 Series: Maintained Action & Momentary Rocker Switches



GRS-2012 Switch

CW Type GRS-2011 - SPST and GRS-2012 - SPDT Maintained Action Rocker Switches and GRS-2011(B/C) Momentary Action Rocker Switches are designed to solve the switching problems of the user and styled to satisfy the designer. . . easy to mount, easy to terminate, and easy to actuate. Position may be identified by imprinting or hot stamping of rocker knob or housing in a legend of your choice. Other options include choice of electrical ratings, terminals, insulating barriers between terminals, and colors.

OPERATING STANDARDS

Endurance: 100,000 cycles, no load minimum
25,000 cycles at rated load minimum

Temperature: 105°C maximum

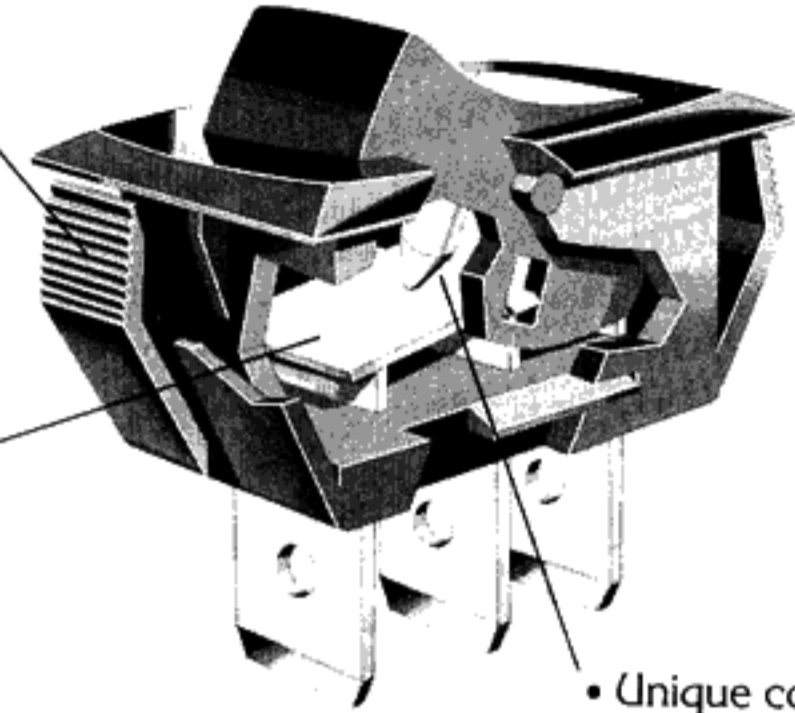
High Voltage: 2,500 V, 60 Hz for one minute
between mounting surface and circuit connections (min.)

Contact Resistance: <0.01 Ω at 10 mA

Relative Humidity: Insulation resistance > 10³ MΩ
after 100 hour soak at 95% R.H. and 50°C and
1 hour dry in ambient room conditions

FEATURES

- Easy self-locking panel mount—no mounting hardware required.
- Heavy-duty switching.
- Choice of colors and markings.
- Fully enclosed active switching elements.
- Light, yet positive detent action—virtually tease-proof.
- Unique combination sliding and rotating action ensures contact cleanliness.



GRS-2012 Switch

MATERIALS

Rocker Knob: Nylon 94V-2

Housing: Nylon, 94V-2

Terminal & Moving Contact: Copper and/or
copper alloy silver plated

MOUNTING

No hardware or tools needed; self locks into one of three available panel openings pictured on page 9. Acceptable panel thickness range from .025" (.64 mm) to .180" (4.57 mm).

CAUTION: Burr direction must be away from the direction of insertion.

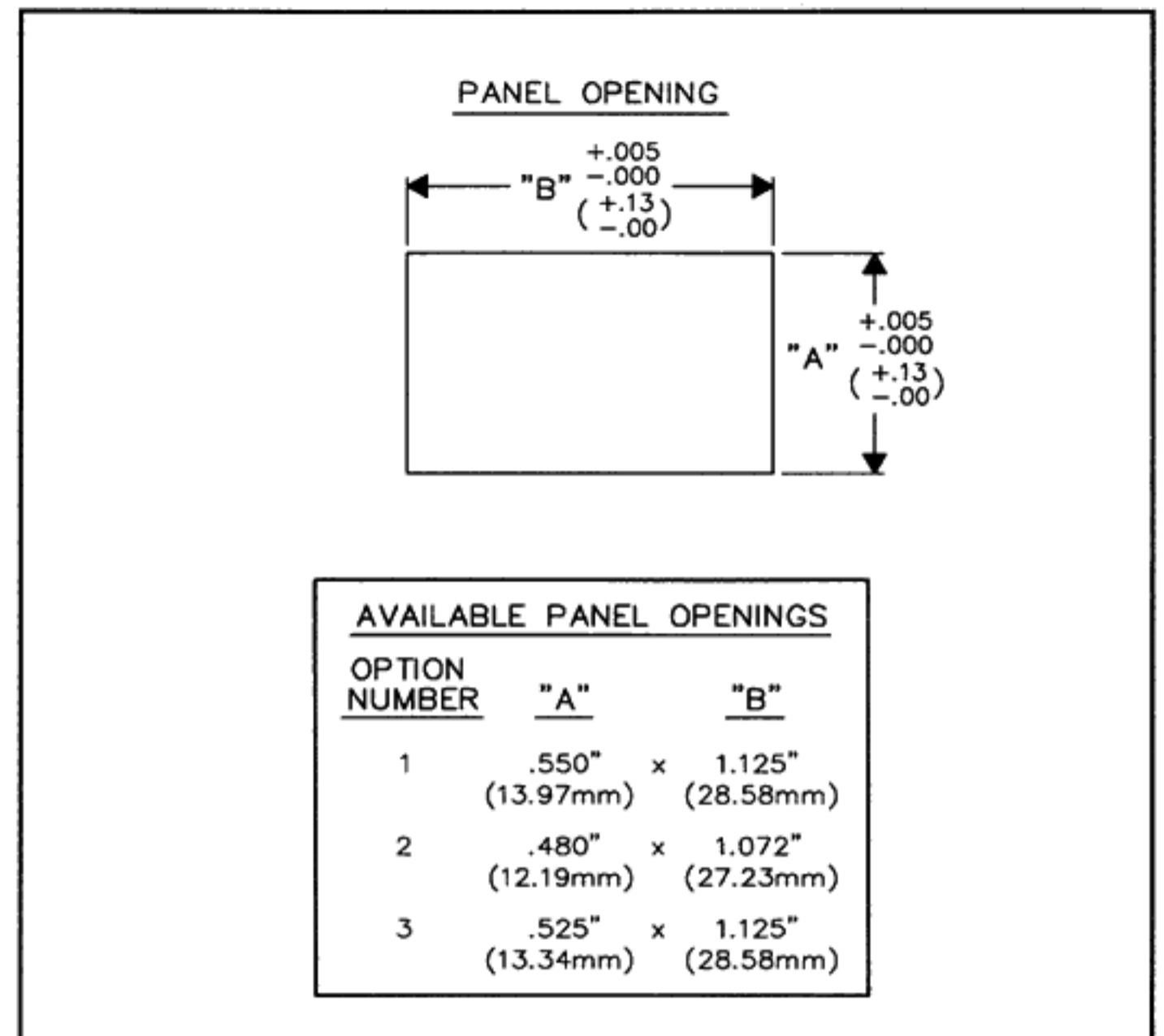
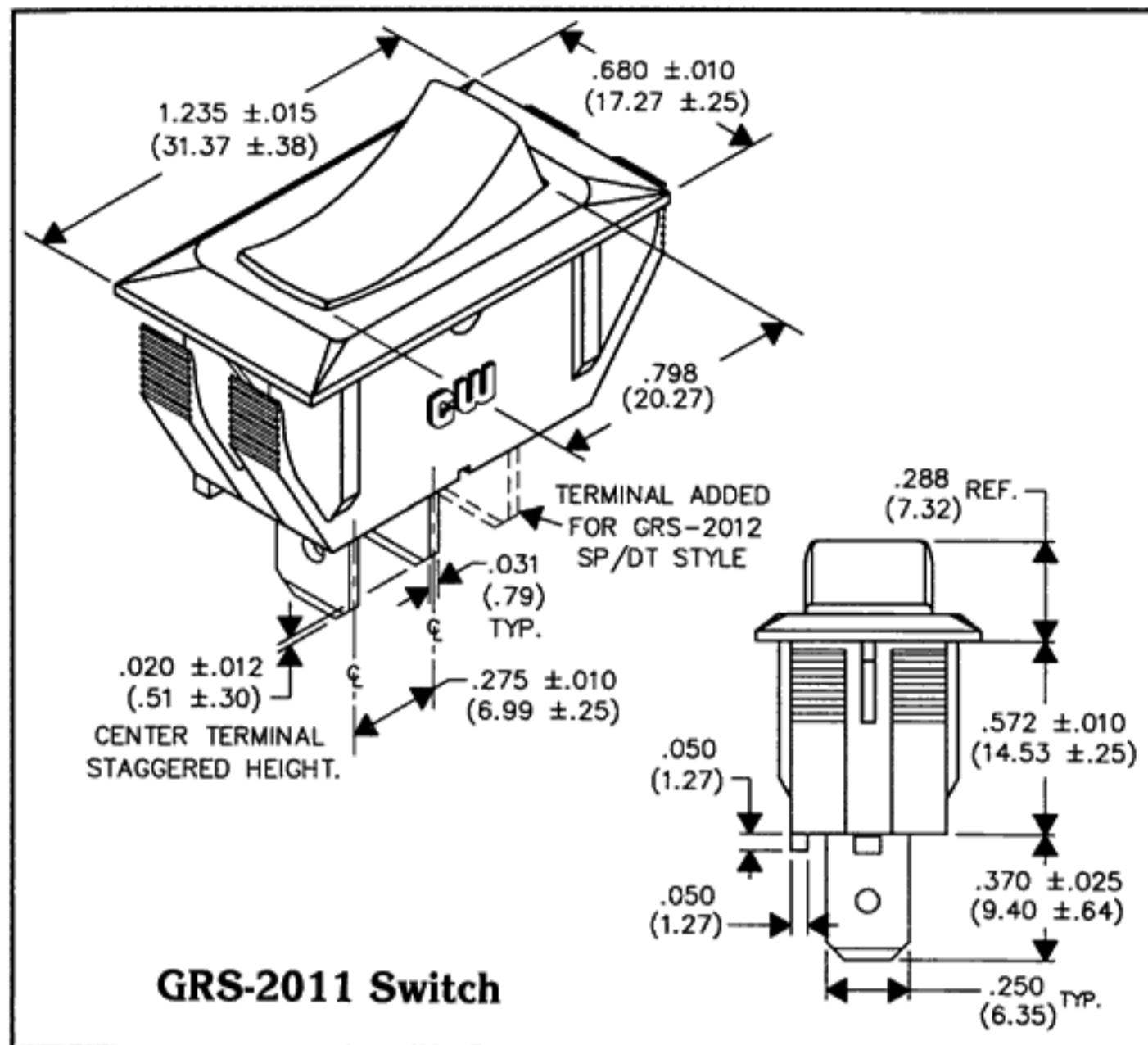
TYPES AVAILABLE

TYPE	CIRCUIT	ELECTRICAL RATING†	LISTING AGENCY††
Maintained Action GRS-2011-8, -13, -16	SPST	-8: 8 A @ 125 VAC / 4 A @ 250 VAC 3 A @ 277 VAC	UL / CSA
GRS-2012-8, -13, -16	SPDT	-13: 13 A @ 125 VAC / 10 A @ 250 VAC 1/2 HP 125 - 250 VAC* 5 A @ 14 V (T)* 6 A @ 125 V (L)*	UL / CSA
Momentary Action GRS-2011B-8, -13	SPST (Normally Open)		
GRS-2011C-8, -13	SPST (Normally Closed)	-16: 16 A @ 125 VAC / 12 A @ 250 VAC 3/4 HP @ 125 - 250 VAC 10 A @ 14 V (T) 12 (6) A @ 250~(VDE)	UL / CSA / VDE
GRS-2012A-8, -13	SPDT Momentary		

*Does not apply to GRS-2011(B/C)-13 & 2012A-13 versions.

†Additional ratings may be available, consult factory.

††Due to ongoing advancements, additional agency certifications may be available, consult factory.



OPTIONAL FEATURES

TERMINATION:

Standard switches have .250" (6.35 mm) blade terminals for solderless connection. For easier hand soldering, specify optional terminal G-20-164 having a .156" (3.96 mm) diameter hole in a .250" (6.35 mm) wide solder tab.

INSULATING BARRIERS:

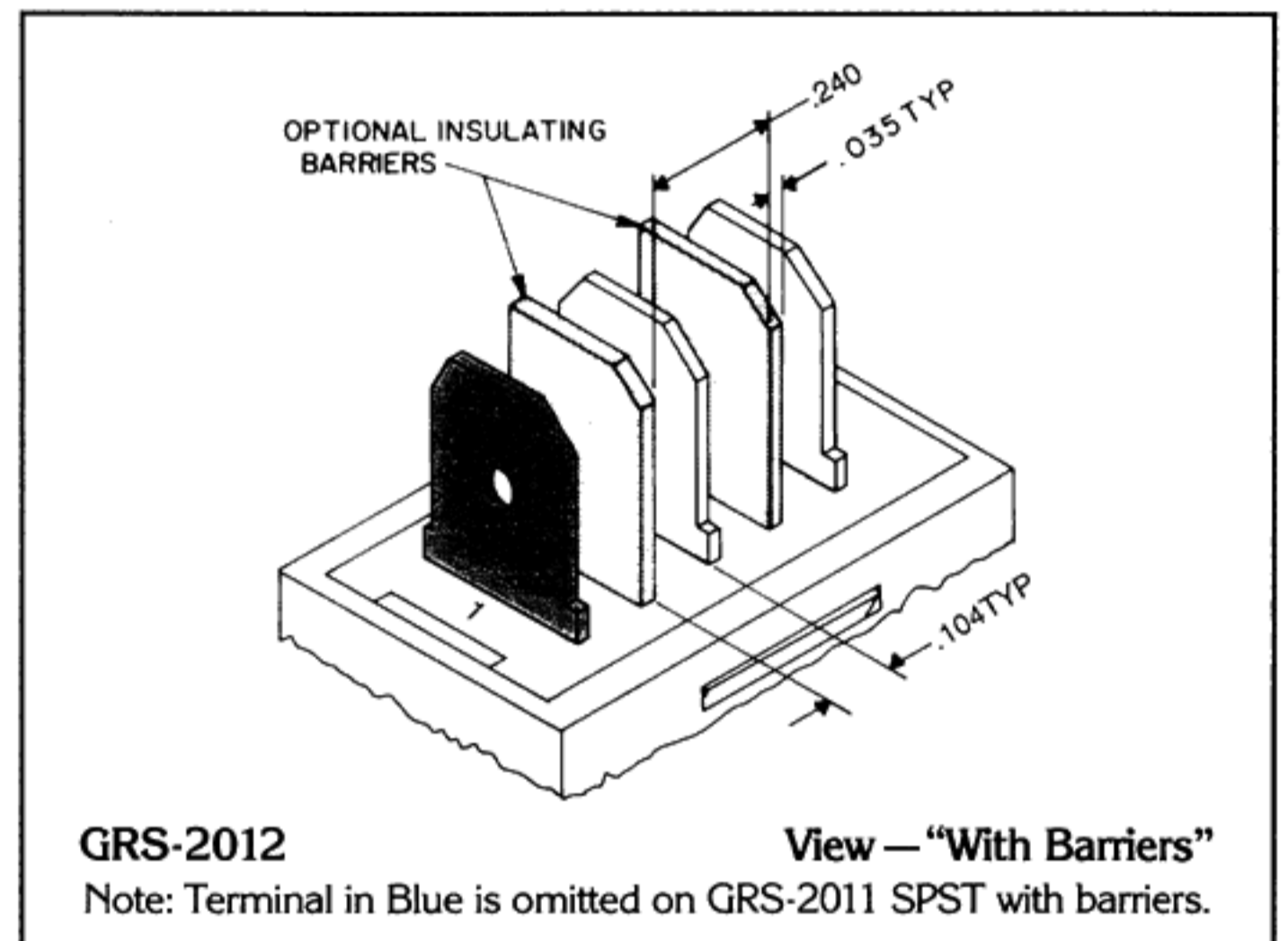
Standard switch construction is without barriers. Optional molded insulating barriers between terminals, as shown at right, permit the use of uninsulated solderless connectors. Specify your switch "with barriers" if needed.

COLORS:

Our standard switch includes black housing and rocker knob. Knobs and housings can be molded in many colors. Contact us if you have unusual color needs.

SPECIAL MARKINGS:

Printing on the knob or housing indicating message appropriate to the application ("ON - OFF," "HI - LO," "I/O," etc.), is available. Check factory.



HOW TO ORDER

Step 1: Select type (see chart) that satisfies your maximum current requirements, either SPST or SPDT and maintained or momentary action.

Step 2: Select desired panel opening option number from chart above.

Step 3: Standard switch includes blade terminal and needs no added identification. If needed, specify optional solder terminal "G-20-164."

Step 4: Standard switch construction is without barriers. If needed specify "with barriers" for insulating barriers between terminals.

Step 5: Standard switch is all black. For special housing or knob color, or markings, contact factory for part number designation.