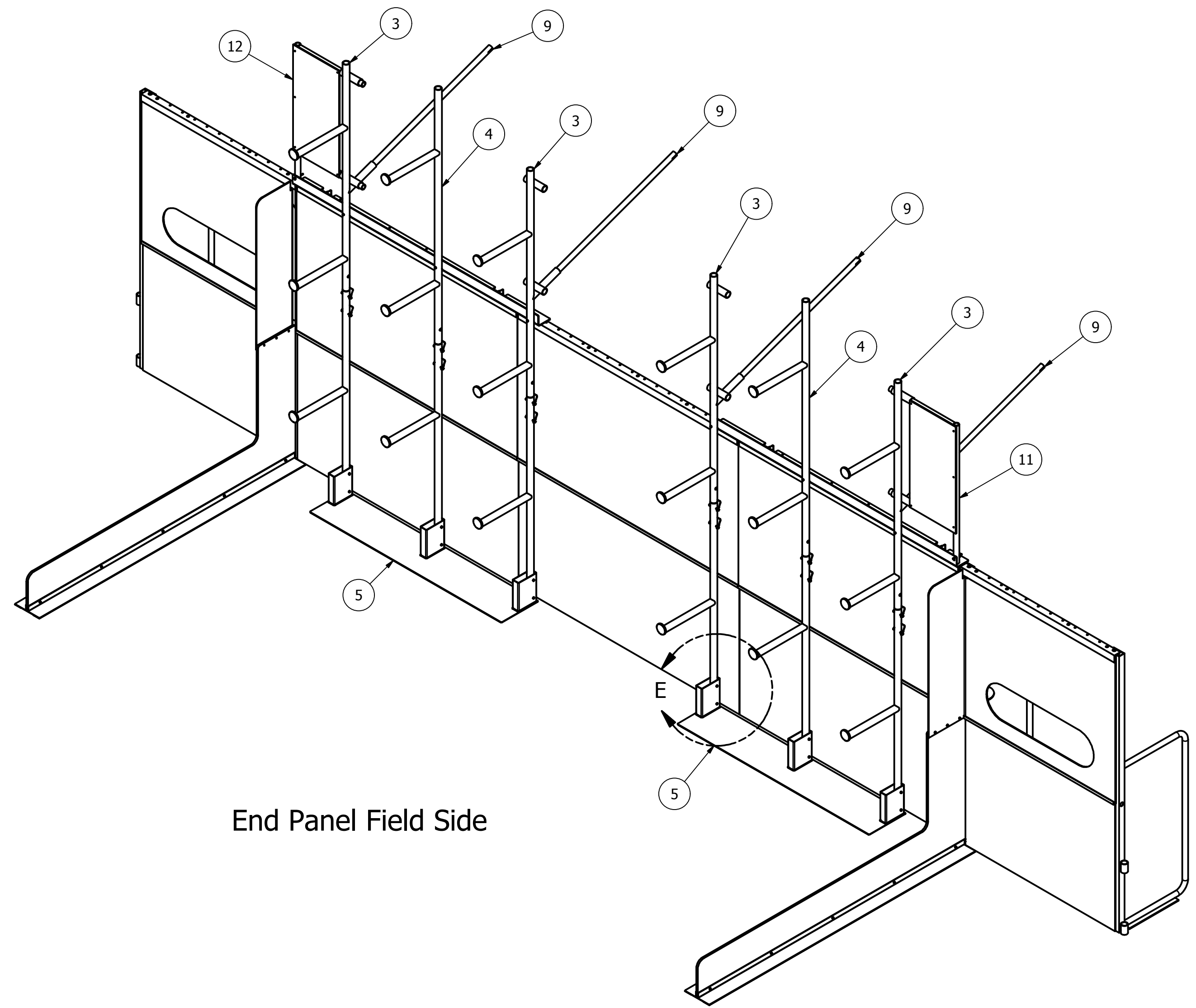
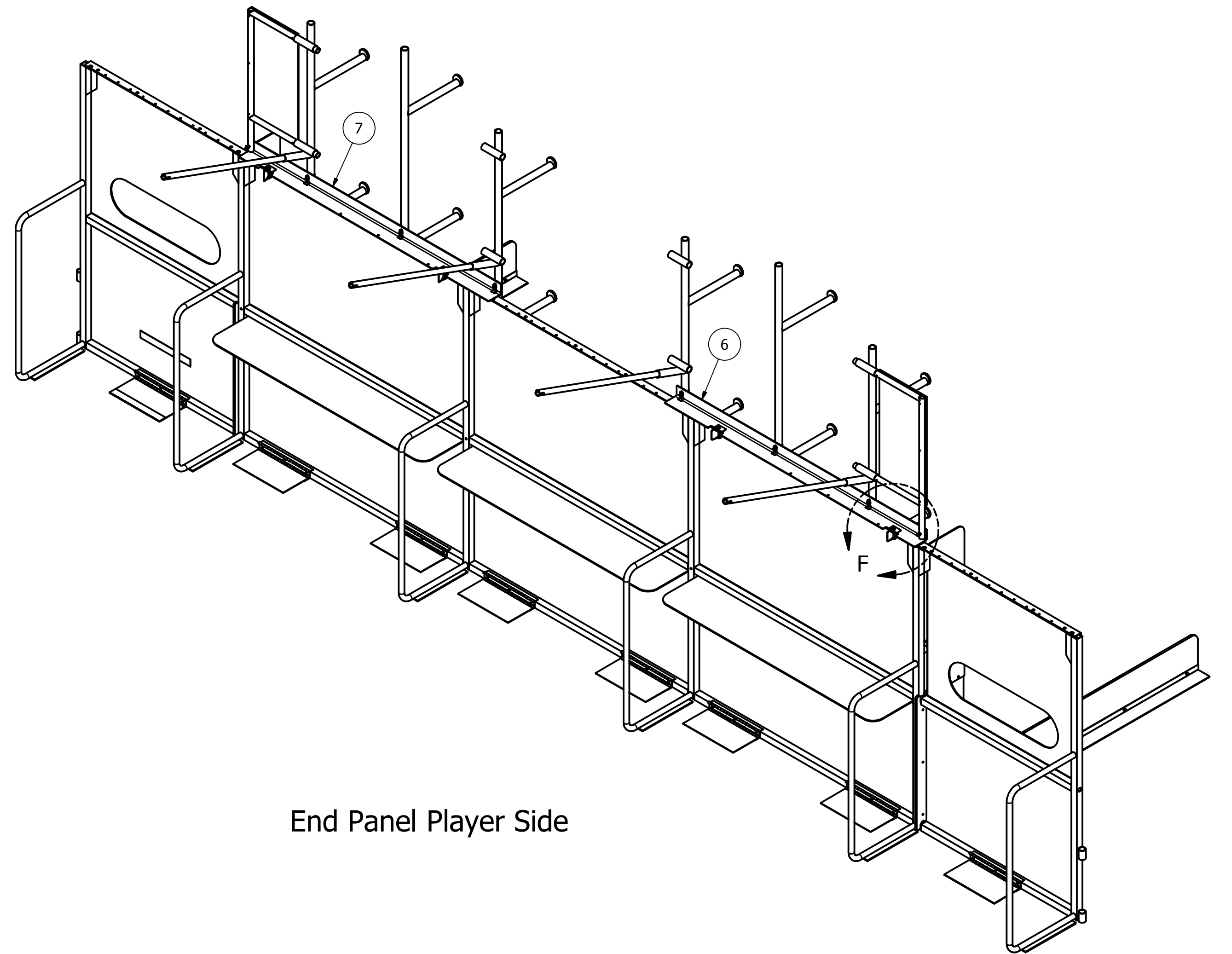


PARTS LIST			
ITEM	QTY	PART NUMBER	DESCRIPTION
1	2	FE-00034-01	Side Border Sub-Assembly (Sheet 3)
2	2	FE-00034-02	End Panel Sub Assembly (Sheet 4)
3	8	GE-11000	Outer Pole Assembly
4	4	GE-11003	Middle Pole Assembly
5	4	GE-11020	Baseplate, Hangers
6	2	GE-11021	Mounting Angle Left
7	2	GE-11022	Mounting Angle Right
8	4	GE-11049	Tower Assembly
9	8	GE-11051	Net Support
10	2	GE-11055	Net
11	2	GE-11060 (right version)	Guard
12	2	GE-11060 (left version)	Guard
13	28	HW-00011	1/4-20 Wing Nut
14	28	HW-00063	Hex head bolt 1/4-20 x 2.50"
15	8	GE-10055	Clip, Ball Return
16	8	HW-00005	Retainer pin 1/4" x 2-1/2" long (MSC #: 67973081)

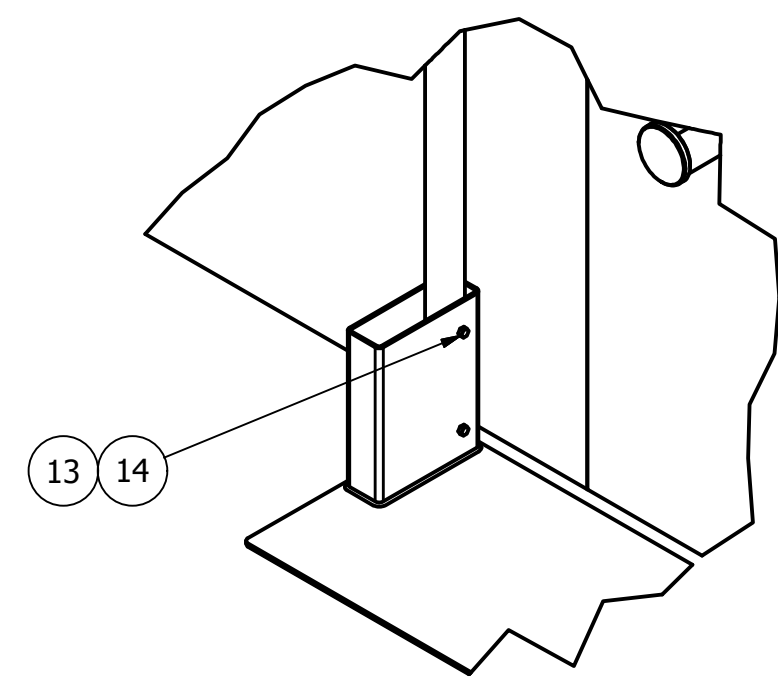
DRAWN Derek Foster		1/5/2010	FIRST 200 Bedford Street, Manchester, NH 03101 (603) 666-3906 -- FAX (603) 666-3907	
CHECKED				
UNLESS OTHERWISE SPECIFIED			TITLE	
TOLERANCES: (INCHES)			2011 Arena Layout and Marking	
FRAC.		+/- 1/32	SIZE	DWG NO
.00		+/- .01	D	FE-00034
.000		+/- .005	SCALE	REV
ANGULAR		+/- .25 Deg.		
			SHEET 1 OF 5	



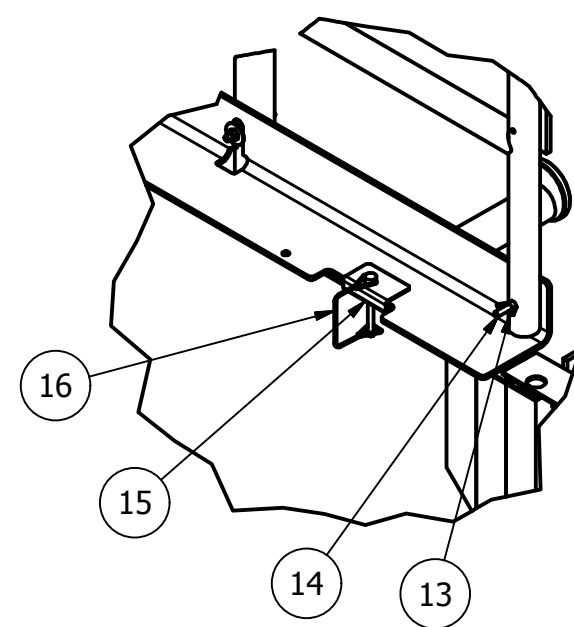
End Panel Field Side



End Panel Player Side

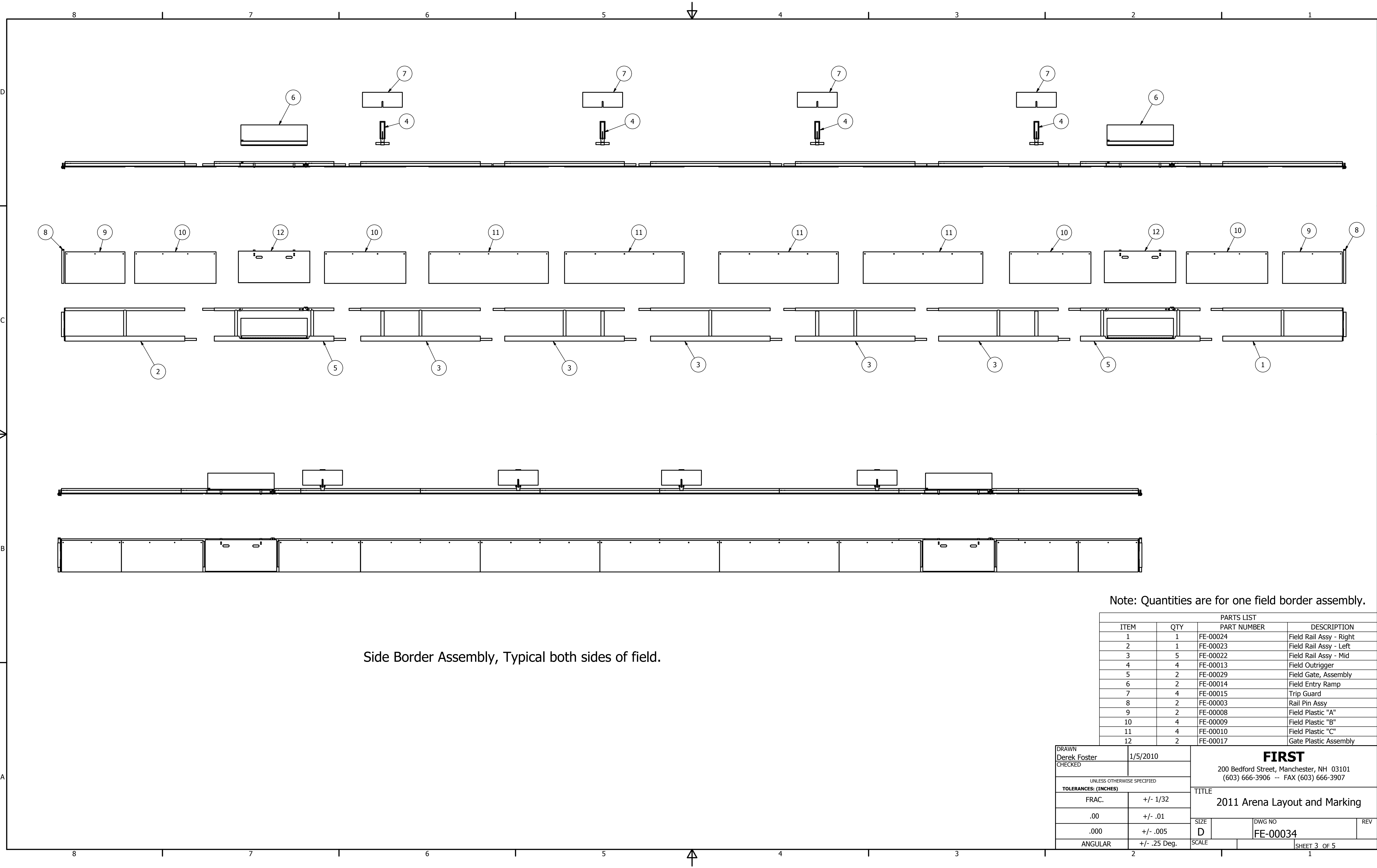


DETAIL E
SCALE 1/8



DETAIL F
SCALE 1/8

DRAWN Derek Foster	1/5/2010	FIRST 200 Bedford Street, Manchester, NH 03101 (603) 666-3906 -- FAX (603) 666-3907	
CHECKED			
UNLESS OTHERWISE SPECIFIED		TITLE 2011 Arena Layout and Marking	
TOLERANCES: (INCHES)		SIZE D	DWG NO FE-00034
FRAC.	+/- 1/32	SCALE	REV
.00	+/- .01		
.000	+/- .005		
ANGULAR	+/- .25 Deg.		
		SHEET 2 OF 5	



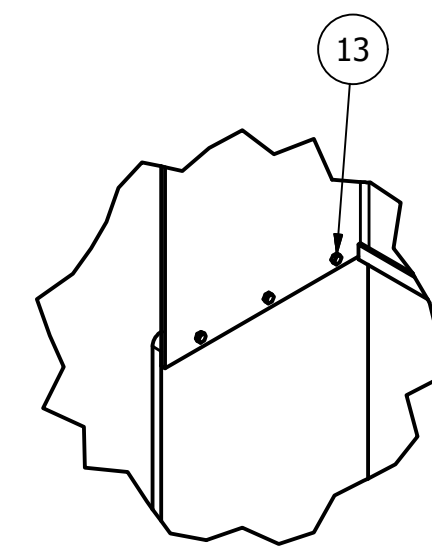
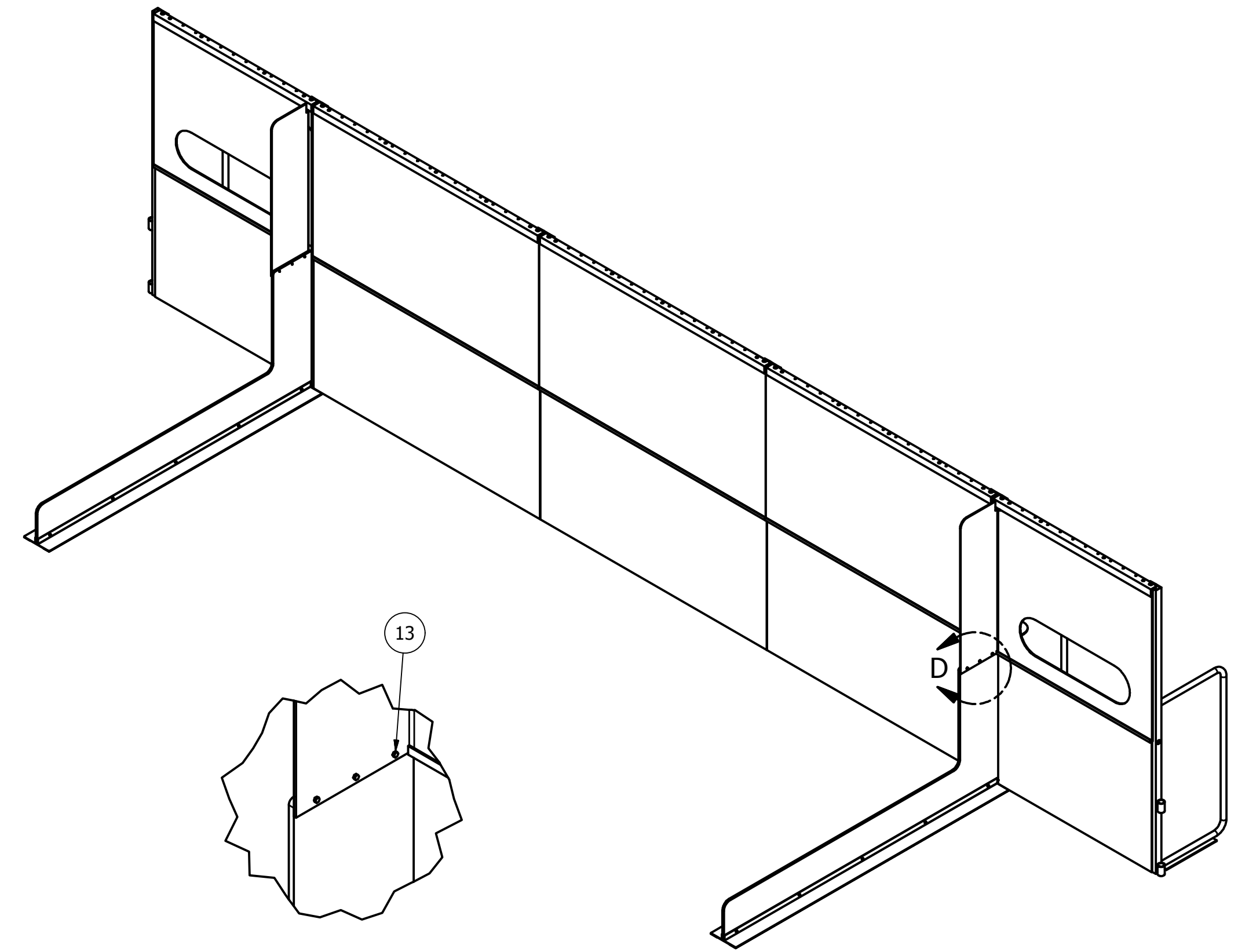
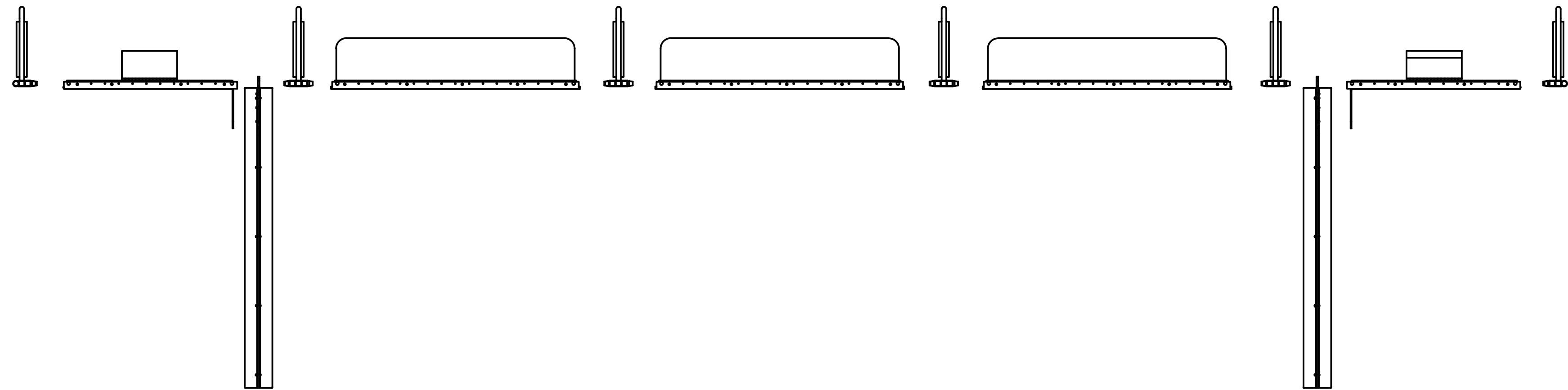
Side Border Assembly, Typical both sides of field.

Note: Quantities are for one field border assembly.

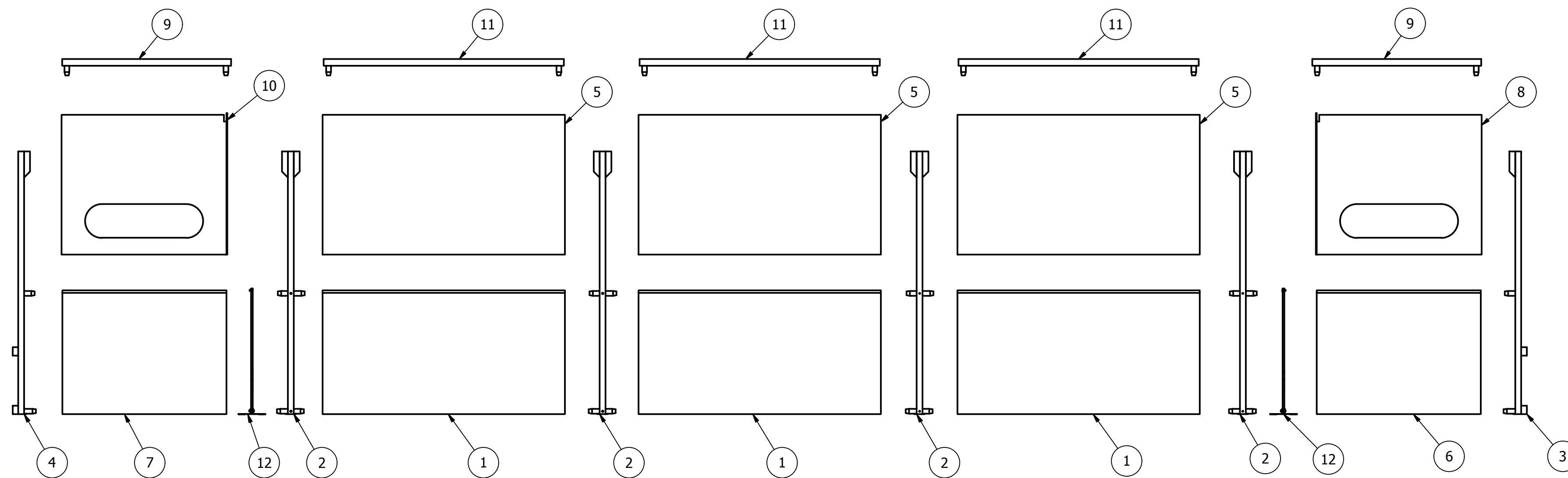
PARTS LIST			
ITEM	QTY	PART NUMBER	DESCRIPTION
1	1	FE-00024	Field Rail Assy - Right
2	1	FE-00023	Field Rail Assy - Left
3	5	FE-00022	Field Rail Assy - Mid
4	4	FE-00013	Field Outrigger
5	2	FE-00029	Field Gate, Assembly
6	2	FE-00014	Field Entry Ramp
7	4	FE-00015	Trip Guard
8	2	FE-00003	Rail Pin Assy
9	2	FE-00008	Field Plastic "A"
10	4	FE-00009	Field Plastic "B"
11	4	FE-00010	Field Plastic "C"
12	2	FE-00017	Gate Plastic Assembly

DRAWN Derek Foster		1/5/2010		FIRST 200 Bedford Street, Manchester, NH 03101 (603) 666-3906 -- FAX (603) 666-3907	
CHECKED					
UNLESS OTHERWISE SPECIFIED				TITLE	
TOLERANCES: (INCHES)				2011 Arena Layout and Marking	
FRAC.	+/- 1/32		SIZE	DWG NO	
.00	+/- .01		D	FE-00034	
.000	+/- .005		SCALE	REV	
ANGULAR	+/- .25 Deg.				SHEET 3 OF 5

8 7 6 5 4 3 2 1



DETAIL D
SCALE 1/8



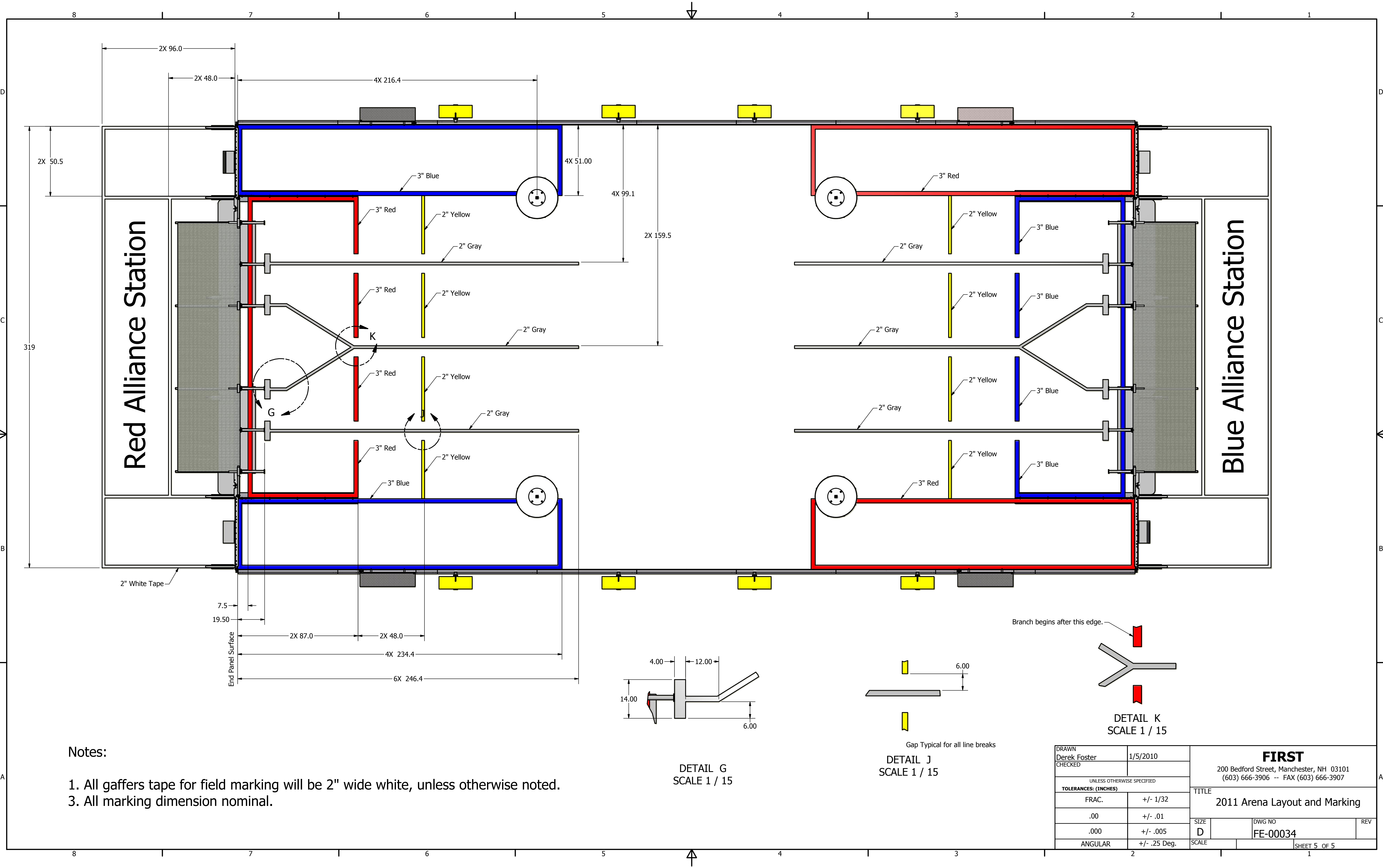
End Panel Assembly - Typical Both Ends

Note: Quantities are for one end panel assembly.

PARTS LIST			
ITEM	QTY	PART NUMBER	DESCRIPTION
1	3	FE-00004	End Panel
2	4	FE-00001	Driver's Station Support Assy
3	1	FE-00002 (right version)	Corner Support
4	1	FE-00002 (left version)	Corner Support
5	3	FE-00012	Drivers Station Acrylic
6	1	GE-11041 (right version)	Modified End Panel Corner
7	1	GE-11041 (left version)	Modified End Panel Corner
8	1	GE-11027	Corner Plastic Right
9	2	GE-09031	Top Rail - Corner
10	1	GE-11028	Corner Glass Left
11	3	FE-00007	Field Top Rail Assy
12	2	GE-11025	Lane Divider Assembly
13	6	HW-00012	Hex head bolt 1/4-20 x .750"

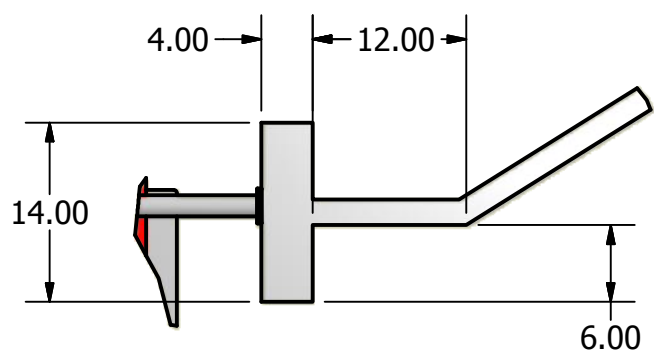
DRAWN Derek Foster		1/5/2010	FIRST 200 Bedford Street, Manchester, NH 03101 (603) 666-3906 -- FAX (603) 666-3907	
CHECKED				
UNLESS OTHERWISE SPECIFIED			TITLE	
TOLERANCES: (INCHES)			2011 Arena Layout and Marking	
FRAC.	+/- 1/32		SIZE	DWG NO
.00	+/- .01		D	FE-00034
.000	+/- .005		SCALE	REV
ANGULAR	+/- .25 Deg.			

8 7 6 5 4 3 2 1

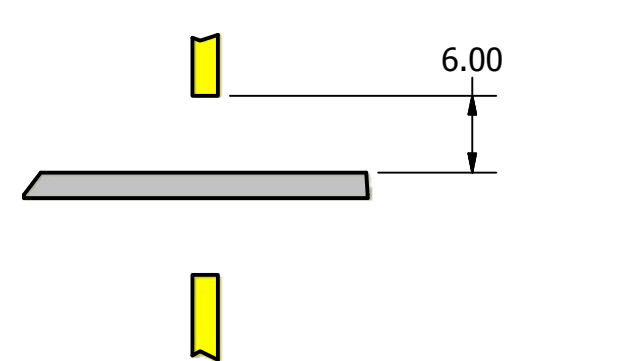


Notes:

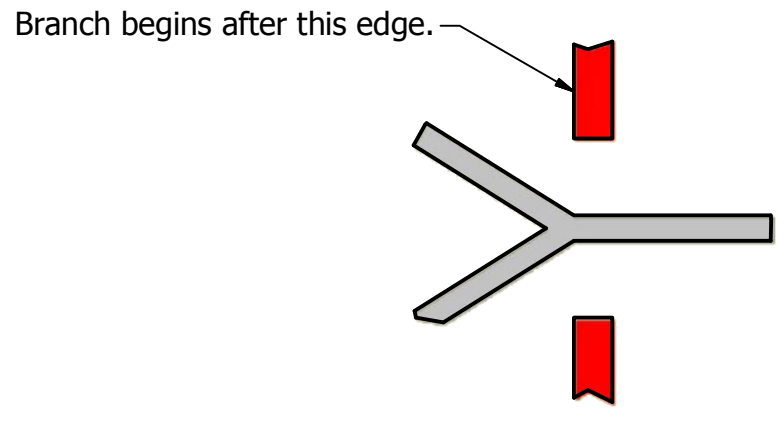
- 1. All gaffers tape for field marking will be 2" wide white, unless otherwise noted.
- 3. All marking dimension nominal.



DETAIL G
SCALE 1 / 15



Gap Typical for all line breaks
DETAIL J
SCALE 1 / 15



DETAIL K
SCALE 1 / 15

DRAWN Derek Foster CHECKED		1/5/2010	FIRST 200 Bedford Street, Manchester, NH 03101 (603) 666-3906 -- FAX (603) 666-3907	
UNLESS OTHERWISE SPECIFIED				
TOLERANCES: (INCHES)			TITLE 2011 Arena Layout and Marking	
FRAC.		+/- 1/32	SIZE D	DWG NO FE-00034
.00		+/- .01	SCALE	REV
.000		+/- .005		
ANGULAR		+/- .25 Deg.	SHEET 5 OF 5	